

MC100EP016A

3.3 V ECL 8-Bit Synchronous Binary Up Counter

Description

The MC100EP016A is a high-speed synchronous, presettable, cascadeable 8-bit binary counter. Architecture and operation are the same as the ECLinPS™ family MC100E016 with higher operating speed.

The counter features internal feedback to \overline{TC} gated by the TCLD (Terminal Count Load) pin. When TCLD is LOW (or left open, in which case it is pulled LOW by the internal pulldowns), the \overline{TC} feedback is disabled, and counting proceeds continuously, with \overline{TC} going LOW to indicate an all-one state. When TCLD is HIGH, the TC feedback causes the counter to automatically reload upon $TC = LOW$, thus functioning as a programmable counter. The Qn outputs do not need to be terminated for the count function to operate properly. To minimize noise and power, unused Q outputs should be left unterminated.

CO \overline{UT} and $\overline{CO\overline{UT}}$ provide differential outputs from a single, non-cascaded counter or divider application. CO \overline{UT} and $\overline{CO\overline{UT}}$ should not be used in cascade configuration. Only \overline{TC} should be used for a counter or divider cascade chain output.

A differential clock input has also been added to improve performance.

The 100 Series contains temperature compensation.

Features

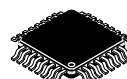
- 550 ps Typical Propagation Delay
- Operation Frequency > 1.3 GHz is 30% Faster than MC100EP016
- PECL Mode Operating Range: $V_{CC} = 3.0\text{ V}$ to 3.6 V with $V_{EE} = 0\text{ V}$
- NECL Mode Operating Range: $V_{CC} = 0\text{ V}$ with $V_{EE} = -3.0\text{ V}$ to -3.6 V
- Open Input Default State
- Safety Clamp on Clock Inputs
- Internal \overline{TC} Feedback (Gated)
- Addition of CO \overline{UT} and $\overline{CO\overline{UT}}$
- 8-Bit
- Differential Clock Input
- V_{BB} Output
- Fully Synchronous Counting and \overline{TC} Generation
- Asynchronous Master Reset
- Pb-Free Packages are Available



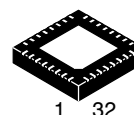
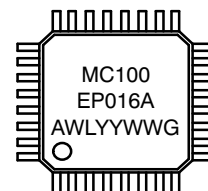
ON Semiconductor®

<http://onsemi.com>

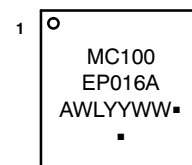
MARKING DIAGRAMS*



LQFP-32
FA SUFFIX
CASE 873A



QFN32
MN SUFFIX
CASE 488AM



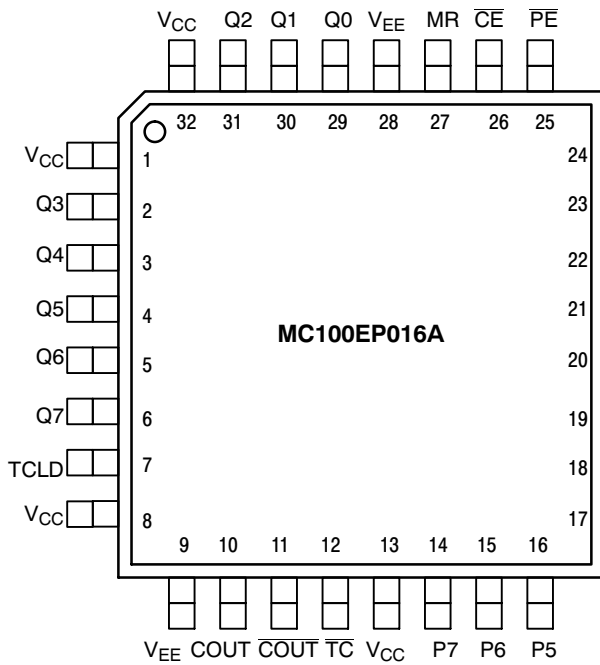
A = Assembly Location
WL = Wafer Lot
YY = Year
WW = Work Week
G or ■ = Pb-Free Package
(Note: Microdot may be in either location)

*For additional marking information, refer to Application Note AND8002/D.

ORDERING INFORMATION

See detailed ordering and shipping information in the package dimensions section on page 11 of this data sheet.

MC100EP016A



Warning: All V_{CC} and V_{EE} pins must be externally connected to Power Supply to guarantee proper operation.

Figure 1. 32-Lead LQFP Pinout (Top View)

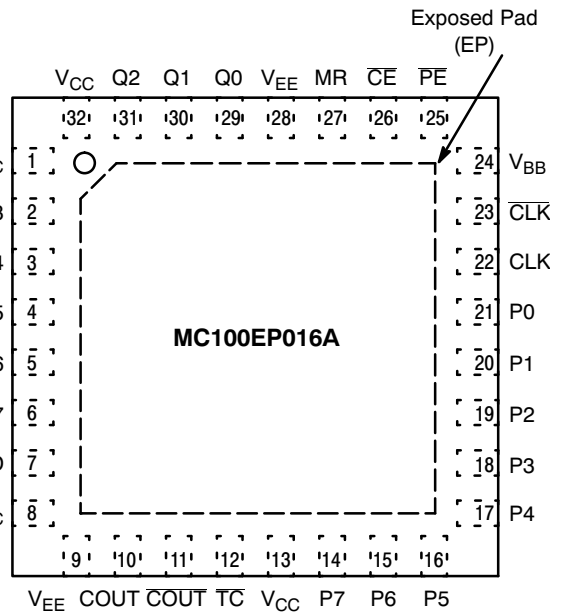


Figure 2. 32-Lead QFN Pinout (Top View)

Table 1. PIN DESCRIPTION

Pin	Function
P0-P7	ECL Parallel Data (Preset) Inputs
Q0-Q7	ECL Data Outputs
\overline{CE}^*	ECL Count Enable Control Input
\overline{PE}^*	ECL Parallel Load Enable Control Input
MR*	ECL Master Reset
CLK*, \overline{CLK}^*	ECL Differential Clock
\overline{TC}	ECL Terminal Count Output
TCLD*	ECL TC-Load Control Input
COUT, \overline{COUT}	ECL Differential Output
V_{CC}	Positive Supply
V_{EE}	Negative Supply
V_{BB}	Reference Voltage Output
EP	The exposed pad (EP) on the QFN-32 package bottom is thermally connected to the die for improved heat-sinking conduit. The pad is electrically connected to V_{EE} .

*Pins will default LOW when left open.

MC100EP016A

Table 2. FUNCTION TABLE

CE	PE	TCLD	MR	CLK	FUNCTION
X	L	X	L	Z	Load Parallel (Pn to Qn)
L	H	L	L	Z	Continuous Count
L	H	H	L	Z	Count; Load Parallel on \overline{TC} = LOW
H	H	X	L	Z	Hold
X	X	X	L	ZZ	Masters Respond, Slaves Hold
X	X	X	H	X	Reset (Qn : = LOW, \overline{TC} : = HIGH)

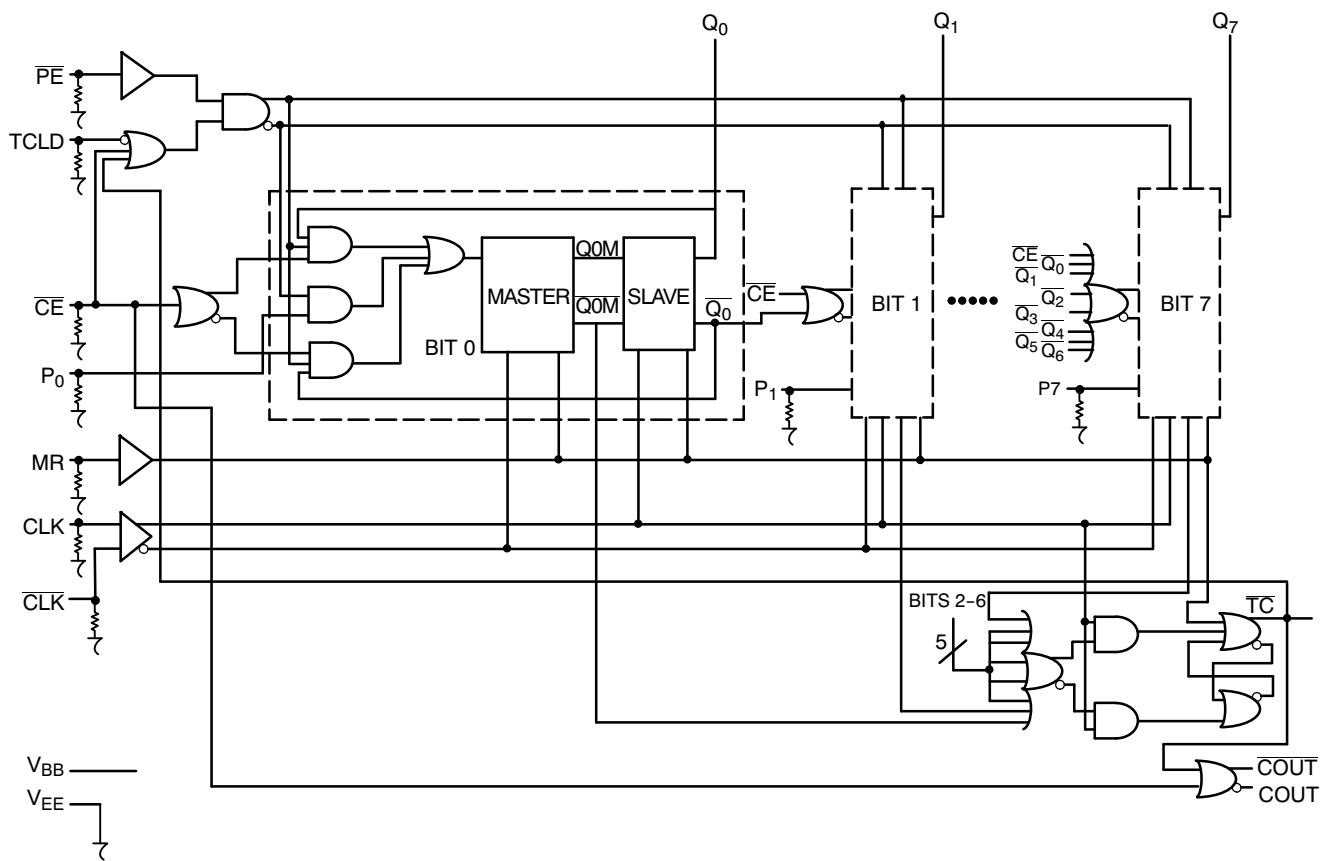
ZZ = Clock Pulse (High-to-Low)

Z = Clock Pulse (Low-to-High)

Table 3. FUNCTION TABLE

Function	PE	CE	MR	TCLD	CLK	P7-P4	P3	P2	P1	P0	Q7-Q4	Q3	Q2	Q1	Q0	TC	COUT	COUT
Load Count	L	X	L	X	Z	H	H	H	L	L	H	H	H	L	L	H	H	L
	H	L	L	L	Z	X	X	X	X	X	H	H	H	L	H	H	H	L
	H	L	L	L	Z	X	X	X	X	X	H	H	H	H	L	H	H	L
	H	L	L	L	Z	X	X	X	X	X	H	H	H	H	H	L	L	H
	H	L	L	L	Z	X	X	X	X	X	L	L	L	L	L	H	H	L
Load Hold	L	X	L	X	Z	H	H	H	L	L	H	H	H	L	L	H	H	L
	H	H	L	X	Z	X	X	X	X	X	H	H	H	L	L	H	H	L
	H	H	L	X	Z	X	X	X	X	X	H	H	H	L	L	H	H	L
Load on Terminal Count	H	L	L	H	Z	H	L	H	H	L	H	H	H	L	H	H	H	L
	H	L	L	H	Z	H	L	H	H	L	H	H	H	H	L	H	H	L
	H	L	L	H	Z	H	L	H	H	L	H	H	H	H	L	L	L	H
	H	L	L	H	Z	H	L	H	H	L	H	L	H	H	L	H	H	L
	H	L	L	H	Z	H	L	H	H	L	H	L	H	H	H	H	H	L
Reset	X	X	H	X	X	X	X	X	X	X	L	L	L	L	L	H	H	L

MC100EP016A



Note that this diagram is provided for understanding of logic operation only. It should not be used for propagation delays as many gate functions are achieved internally without incurring a full gate delay.

Figure 3. 8-BIT Binary Counter Logic Diagram

MC100EP016A

Table 4. ATTRIBUTES

Characteristics	Value	
Internal Input Pulldown Resistor	75 kΩ	
Internal Input Pullup Resistor	N/A	
ESD Protection	Human Body Model	> 2 kV
	Machine Model	> 100 V
	Charged Device Model	> 2 kV
Moisture Sensitivity, Indefinite Time Out of Drypack (Note 1)	Pb Pkg	Pb-Free Pkg
	LQFP-32	Level 2
	QFN-32	Level 2 Level 1
Flammability Rating Oxygen Index: 28 to 34	UL 94 V-0 @ 0.125 in	
Transistor Count	1226 Devices	
Meets or exceeds JEDEC Spec EIA/JESD78 IC Latchup Test		

1. For additional information, see Application Note AND8003/D.

Table 5. MAXIMUM RATINGS

Symbol	Parameter	Condition 1	Condition 2	Rating	Unit
V _{CC}	PECL Mode Power Supply	V _{EE} = 0 V		6	V
V _{EE}	NECL Mode Power Supply	V _{CC} = 0 V		-6	V
V _I	PECL Mode Input Voltage	V _{EE} = 0 V	V _I ≤ V _{CC}	6	V
	NECL Mode Input Voltage	V _{CC} = 0 V	V _I ≥ V _{EE}	-6	V
I _{out}	Output Current	Continuous		50	mA
		Surge		100	mA
I _{BB}	V _{BB} Sink/Source			± 0.5	mA
T _A	Operating Temperature Range			-40 to +70	°C
T _{stg}	Storage Temperature Range			-65 to +150	°C
θ _{JA}	Thermal Resistance (Junction-to-Ambient)	0 lfpm	32 LQFP	74	°C/W
		500 lfpm	32 LQFP	61	°C/W
θ _{JC}	Thermal Resistance (Junction-to-Case)	Standard Board	32 LQFP	12 to 17	°C/W
θ _{JA}	Thermal Resistance (Junction-to-Ambient)	0 lfpm	QFN-32	31	°C/W
		500 lfpm	QFN-32	27	°C/W
θ _{JC}	Thermal Resistance (Junction-to-Case)	2S2P	QFN-32	12	°C/W
T _{sol}	Wave Solder	Pb		265	°C
		Pb-Free		265	°C

Stresses exceeding Maximum Ratings may damage the device. Maximum Ratings are stress ratings only. Functional operation above the Recommended Operating Conditions is not implied. Extended exposure to stresses above the Recommended Operating Conditions may affect device reliability.

MC100EP016A

Table 6. 100EP DC CHARACTERISTICS, PECL $V_{CC} = 3.3\text{ V}$, $V_{EE} = 0\text{ V}$ (Note 2)

Symbol	Characteristic	-40°C			25°C			70°C			Unit
		Min	Typ	Max	Min	Typ	Max	Min	Typ	Max	
I_{EE}	Power Supply Current	130	170	210	130	177	210	130	180	210	mA
V_{OH}	Output HIGH Voltage (Note 3)	2155	2280	2405	2155	2280	2405	2155	2280	2405	mV
V_{OL}	Output LOW Voltage (Note 3)	1355	1480	1605	1355	1480	1605	1355	1480	1605	mV
V_{IH}	Input HIGH Voltage (Single-Ended)	2075		2420	2075		2420	2075		2420	mV
V_{IL}	Input LOW Voltage (Single-Ended)	1355		1675	1355		1675	1355		1675	mV
V_{BB}	Output Voltage Reference	1775	1875	1975	1775	1875	1975	1775	1875	1975	mV
V_{IHCMR}	Input HIGH Voltage Common Mode Range (Differential Configuration) (Note 4)	2.0		3.3	2.0		3.3	2.0		3.3	V
I_{IH}	Input HIGH Current			150			150			150	μA
I_{IL}	Input LOW Current	0.5			0.5			0.5			μA

NOTE: Device will meet the specifications after thermal equilibrium has been established when mounted in a test socket or printed circuit board with maintained transverse airflow greater than 500 lfpm. Electrical parameters are guaranteed only over the declared operating temperature range. Functional operation of the device exceeding these conditions is not implied. Device specification limit values are applied individually under normal operating conditions and not valid simultaneously.

2. Input and output parameters vary 1:1 with V_{CC} . V_{EE} can vary +0.3 V to -0.3 V.

3. All loading with 50 ohms to V_{CC} -2.0 volts.

4. V_{IHCMR} min varies 1:1 with V_{EE} . V_{IHCMR} max varies 1:1 with V_{CC} . The V_{IHCMR} range is referenced to the most positive side of the differential input signal.

Table 7. 100EP DC CHARACTERISTICS, NECL $V_{CC} = 0\text{ V}$, $V_{EE} = -3.6\text{ V}$ to -3.0 V (Note 5)

Symbol	Characteristic	-40°C			25°C			70°C			Unit
		Min	Typ	Max	Min	Typ	Max	Min	Typ	Max	
I_{EE}	Power Supply Current	130	170	210	130	177	210	130	180	210	mA
V_{OH}	Output HIGH Voltage (Note 6)	-1145	-1020	-895	-1145	-1020	-895	-1145	-1020	-895	mV
V_{OL}	Output LOW Voltage (Note 6)	-1945	-1820	-1695	-1945	-1820	-1695	-1945	-1820	-1695	mV
V_{IH}	Input HIGH Voltage (Single-Ended)	-1225		-880	-1225		-880	-1225		-880	mV
V_{IL}	Input LOW Voltage (Single-Ended)	-1945		-1625	-1945		-1625	-1945		-1625	mV
V_{BB}	Output Voltage Reference	-1525	-1425	-1325	-1525	-1425	-1325	-1525	-1425	-1325	mV
V_{IHCMR}	Input HIGH Voltage Common Mode Range (Differential Configuration) (Note 7)	$V_{EE}+2.0$		0.0	$V_{EE}+2.0$		0.0	$V_{EE}+2.0$		0.0	V
I_{IH}	Input HIGH Current			150			150			150	μA
I_{IL}	Input LOW Current	0.5			0.5			0.5			μA

NOTE: Device will meet the specifications after thermal equilibrium has been established when mounted in a test socket or printed circuit board with maintained transverse airflow greater than 500 lfpm. Electrical parameters are guaranteed only over the declared operating temperature range. Functional operation of the device exceeding these conditions is not implied. Device specification limit values are applied individually under normal operating conditions and not valid simultaneously.

5. Input and output parameters vary 1:1 with V_{CC} .

6. All loading with 50 ohms to V_{CC} -2.0 volts.

7. V_{IHCMR} min varies 1:1 with V_{EE} . V_{IHCMR} max varies 1:1 with V_{CC} . The V_{IHCMR} range is referenced to the most positive side of the differential input signal.

MC100EP016A

Table 8. AC CHARACTERISTICS $V_{EE} = -3.0\text{ V to }-3.6\text{ V}$; $V_{CC} = 0\text{ V or }3.0\text{ V to }3.6\text{ V}$; $V_{EE} = 0\text{ V}$ (Note 8)

Symbol	Characteristic	-40°C			25°C			70°C			Unit
		Min	Typ	Max	Min	Typ	Max	Min	Typ	Max	
f_{COUNT}	Maximum Frequency Count & Division Modes Q, $\overline{\text{TC}}$, $\text{COUT}/\overline{\text{COUT}}$	1.3	1.5		1.2	1.4		1.2	1.3		GHz
t_{PLH} t_{PHL}	Propagation Delay CLK to Q MR to Q CLK to $\overline{\text{TC}}$ MR to $\overline{\text{TC}}$ CLK to $\text{COUT}/\overline{\text{COUT}}$ MR to $\text{COUT}/\overline{\text{COUT}}$	350 400 350 400 475 450	511 550 511 555 705 720	650 700 650 700 850 850	400 400 400 400 500 500	550 570 550 570 745 760	700 750 700 750 900 900	480 450 480 520 550 570	610 630 610 635 825 830	780 820 780 820 1000 950	ps
t_{S}	Setup Time P0 P1 to P4 P5 to P7 $\overline{\text{CE}}$ $\overline{\text{PE}}$ TCLD	400 300 250 500 500 550	240 140 80 320 315 355		400 300 250 500 500 550	240 135 65 330 320 365		400 300 250 500 500 550	245 125 55 340 325 380		ps
t_{H}	Hold Time P0 P1 to P4 P5 to P7 $\overline{\text{CE}}$ $\overline{\text{PE}}$ TCLD	100 50 150 600 625 525	-145 -160 -105 380 465 320		100 50 150 600 625 525	-155 -170 -110 410 500 325		100 50 150 600 625 525	-170 -180 -115 450 535 340		ps
t_{JITTER}	Clock Random Jitter (RMS, 1000 Waveforms)		2.6	8.5		2.5	8.0		2.5	8.0	ps
t_{RR}	Reset Recovery Time	400	195		400	205		400	220		ps
t_{PW}	Minimum Pulse Width CLK Minimum Pulse Width MR	385 550	334 380		416 550	357 380		416 550	385 380		ps
$t_{\text{r}}, t_{\text{f}}$	Output Rise/Fall Times 20% - 80%	90	180	320	100	190	320	125	215	450	ps

NOTE: Device will meet the specifications after thermal equilibrium has been established when mounted in a test socket or printed circuit board with maintained transverse airflow greater than 500 lfm. Electrical parameters are guaranteed only over the declared operating temperature range. Functional operation of the device exceeding these conditions is not implied. Device specification limit values are applied individually under normal operating conditions and not valid simultaneously.

8. Measured using a 750 mV source, 50% duty cycle clock source. All loading with 50 ohms to $V_{CC}-2.0\text{ V}$.

APPLICATIONS INFORMATION

Cascading Multiple EP016A Devices

For applications which call for larger than 8-bit counters multiple EP016As can be tied together to achieve very wide bit width counters. The active low terminal count (\overline{TC}) output and count enable input (\overline{CE}) greatly facilitate the cascading of EP016A devices. Two EP016As can be cascaded without the need for external gating, however for counters wider than 16 bits external OR gates are necessary for cascade implementations.

Figure 4 below pictorially illustrates the cascading of 4 EP016As to build a 32-bit high frequency counter. Note the EP01 gates used to OR the terminal count outputs of the lower order EP016As to control the counting operation of the higher order bits. When the terminal count of the preceding device (or devices) goes low (the counter reaches an all 1s state) the more significant EP016A is set in its count mode and will count one binary digit upon the next positive clock transition. In addition, the preceding devices will also

count one bit thus sending their terminal count outputs back to a high state disabling the count operation of the more significant counters and placing them back into hold modes. Therefore, for an EP016A in the chain to count, all of the lower order terminal count outputs must be in the low state. The bit width of the counter can be increased or decreased by simply adding or subtracting EP016A devices from Figure 4 and maintaining the logic pattern illustrated in the same figure.

The maximum frequency of operation for a cascaded counter chain is set by the propagation delay of the \overline{TC} output, the necessary setup time of the \overline{CE} input, and the propagation delay through the OR gate controlling it (for 16-bit counters the limitation is only the \overline{TC} propagation delay and the \overline{CE} setup time). Figure 4 shows EP01 gates used to control the count enable inputs, however, if the frequency of operation is slow enough, a LVECL OR gate can be used. Using the worst case guarantees for these parameters.

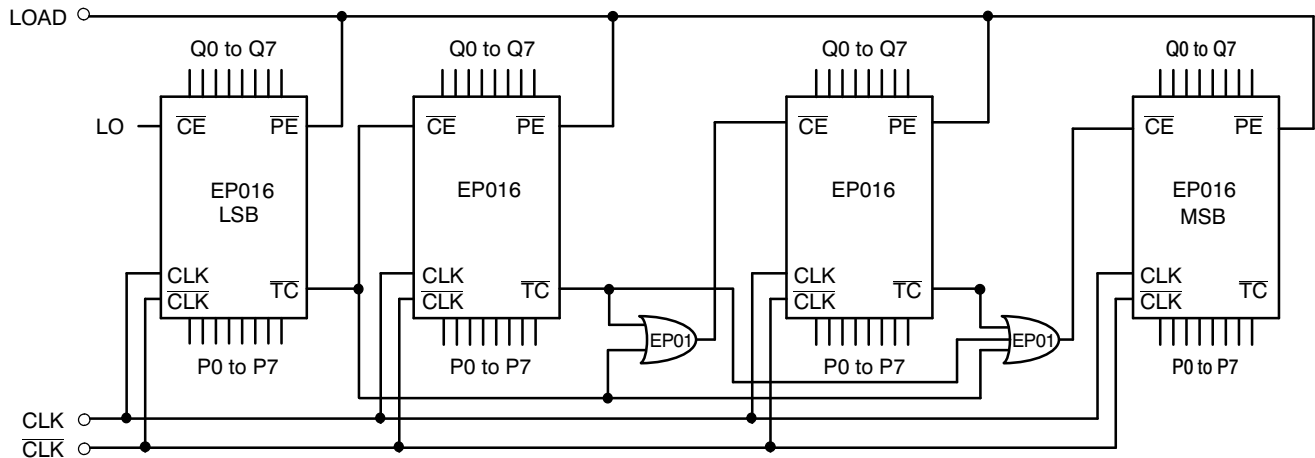


Figure 4. 32-Bit Cascaded EP016A Counter

Note that this assumes the trace delay between the \overline{TC} outputs and the \overline{CE} inputs are negligible. If this is not the case estimates of these delays need to be added to the calculations.

Programmable Divider

The EP016A has been designed with a control pin which makes it ideal for use as an 8-bit programmable divider. The TCLD pin (load on terminal count) when asserted reloads the

data present at the parallel input pin (P_n 's) upon reaching terminal count (an all 1s state on the outputs). Because this feedback is built internal to the chip, the programmable division operation will run at very nearly the same frequency as the maximum counting frequency of the device. Figure 5 below illustrates the input conditions necessary for utilizing the EP016A as a programmable divider set up to divide by 113.

APPLICATIONS INFORMATION (continued)

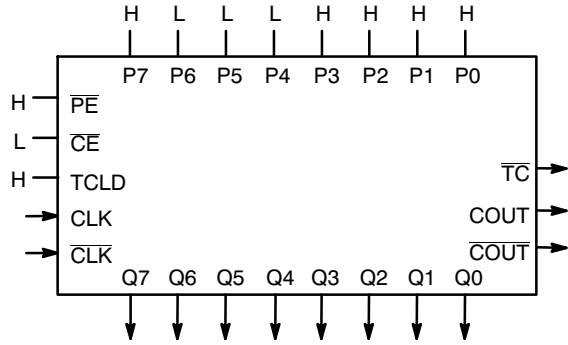


Figure 5. Mod 2 to 256 Programmable Divider

To determine what value to load into the device to accomplish the desired division, the designer simply subtracts the binary equivalent of the desired divide ratio from the binary value for 256. As an example for a divide ratio of 113:

$$P_n's = 256 - 113 = 8F_{16} = 1000\ 1111$$

where:

$$P_0 = \text{LSB and } P_7 = \text{MSB}$$

Forcing this input condition as per the setup in Figure 5 will result in the waveforms of Figure 6. Note that the TC output is used as the divide output and the pulse duration is equal to a full clock period. For even divide ratios, twice the desired divide ratio can be loaded into the EP016A and the TC output can feed the clock input of a toggle flip flop to create a signal divided as desired with a 50% duty cycle.

Table 9. Preset Values for Various Divide Ratios

Divide Ratio	Preset Data Inputs							
	P7	P6	P5	P4	P3	P2	P1	P0
2	H	H	H	H	H	H	H	L
3	H	H	H	H	H	H	L	H
4	H	H	H	H	H	H	L	L
5	H	H	H	H	H	L	H	H
•	•	•	•	•	•	•	•	•
•	•	•	•	•	•	•	•	•
112	H	L	L	H	L	L	L	L
113	H	L	L	L	H	H	H	H
114	H	L	L	L	H	H	H	L
•	•	•	•	•	•	•	•	•
•	•	•	•	•	•	•	•	•
254	L	L	L	L	L	L	H	L
255	L	L	L	L	L	L	L	H
256	L	L	L	L	L	L	L	L

A single EP016A can be used to divide by any ratio from 2 to 256 inclusive. If divide ratios of greater than 256 are needed multiple EP016As can be cascaded in a manner similar to that already discussed. When EP016As are cascaded to build larger dividers the TCLD pin will no longer provide a means for loading on terminal count. Because one does not want to reload the counters until all of the devices in the chain have reached terminal count, external gating of the TC-bar pins must be used for multiple EP016A divider chains.

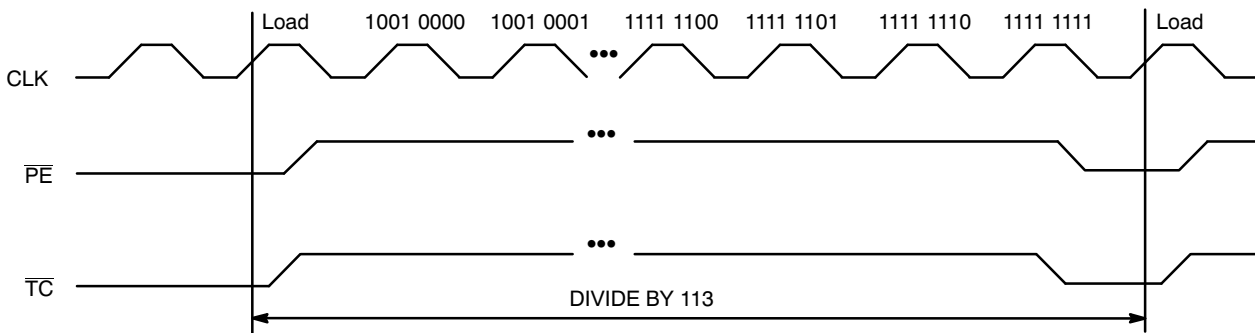


Figure 6. Divide by 113 EP016A Programmable Divider Waveforms

APPLICATIONS INFORMATION (continued)

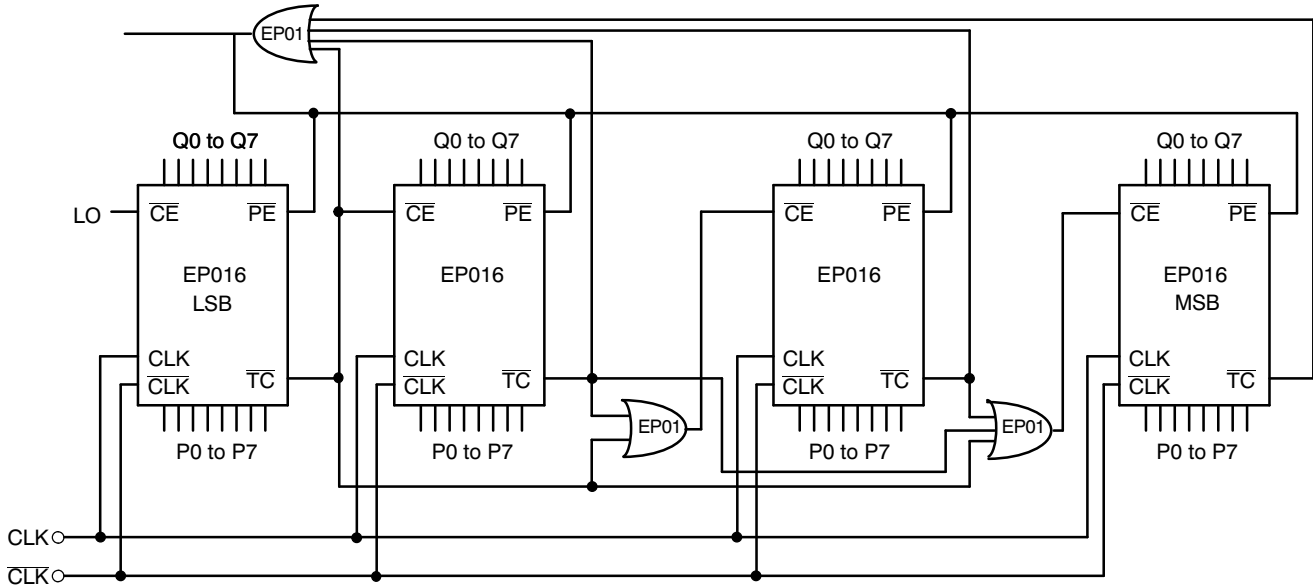


Figure 7. 32-Bit Cascaded EP016A Programmable Divider

Figure 7 shows a typical block diagram of a 32-bit divider chain. Once again to maximize the frequency of operation EP01 OR gates were used. For lower frequency applications a slower OR gate could replace the EP01. Note that for a 16-bit divider the OR function feeding the PE (program enable) input CANNOT be replaced by a wire OR tie as the TC output of the least significant EP016A must also feed the CE input of the most significant EP016A. If the two TC outputs were OR tied the cascaded count operation would not operate properly. Because in the cascaded form the PE feedback is external and requires external gating, the maximum frequency of operation will be significantly less than the same operation in a single device.

Maximizing EP016A Count Frequency

The EP016A device produces 9 fast transitioning single ended outputs, thus V_{CC} noise can become significant in situations where all of the outputs switch simultaneously in the same direction. This V_{CC} noise can negatively impact the maximum frequency of operation of the device. Since the device does not need to have the Q outputs terminated to count properly, it is recommended that if the outputs are not going to be used in the rest of the system they should be left unterminated. In addition, if only a subset of the Q outputs are used in the system only those outputs should be terminated. Not terminating the unused outputs will not only cut down the V_{CC} noise generated but will also save in total system power dissipation. Following these guidelines will allow designers to either be more aggressive in their designs or provide them with an extra margin to the published data book specifications.

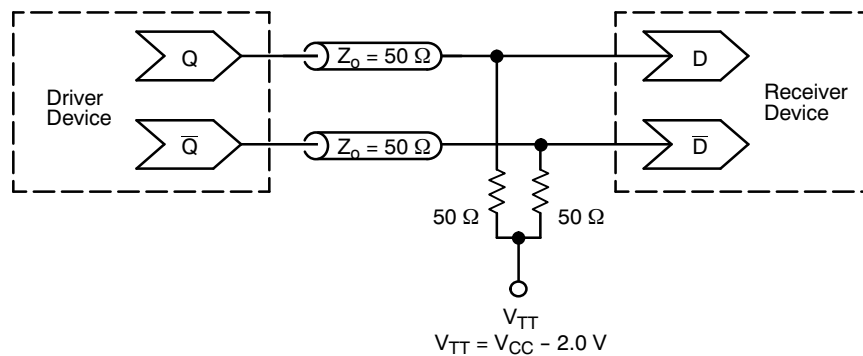


Figure 8. Typical Termination for Output Driver and Device Evaluation (See Application Note AND8020/D – Termination of ECL Logic Devices.)

MC100EP016A

ORDERING INFORMATION

Device	Package	Shipping†
MC100EP016AFA	LQFP-32	250 Units / Tray
MC100EP016AFAG	LQFP-32 (Pb-Free)	250 Units / Tray
MC100EP016AFAR2	LQFP-32	2000 / Tape & Reel
MC100EP016AFAR2G	LQFP-32 (Pb-Free)	2000 / Tape & Reel
MC100EP016AMNG	QFN-32 (Pb-Free)	74 Units / Rail
MC100EP016AMNR4G	QFN-32 (Pb-Free)	1000 / Tape & Reel

†For information on tape and reel specifications, including part orientation and tape sizes, please refer to our Tape and Reel Packaging Specifications Brochure, BRD8011/D.

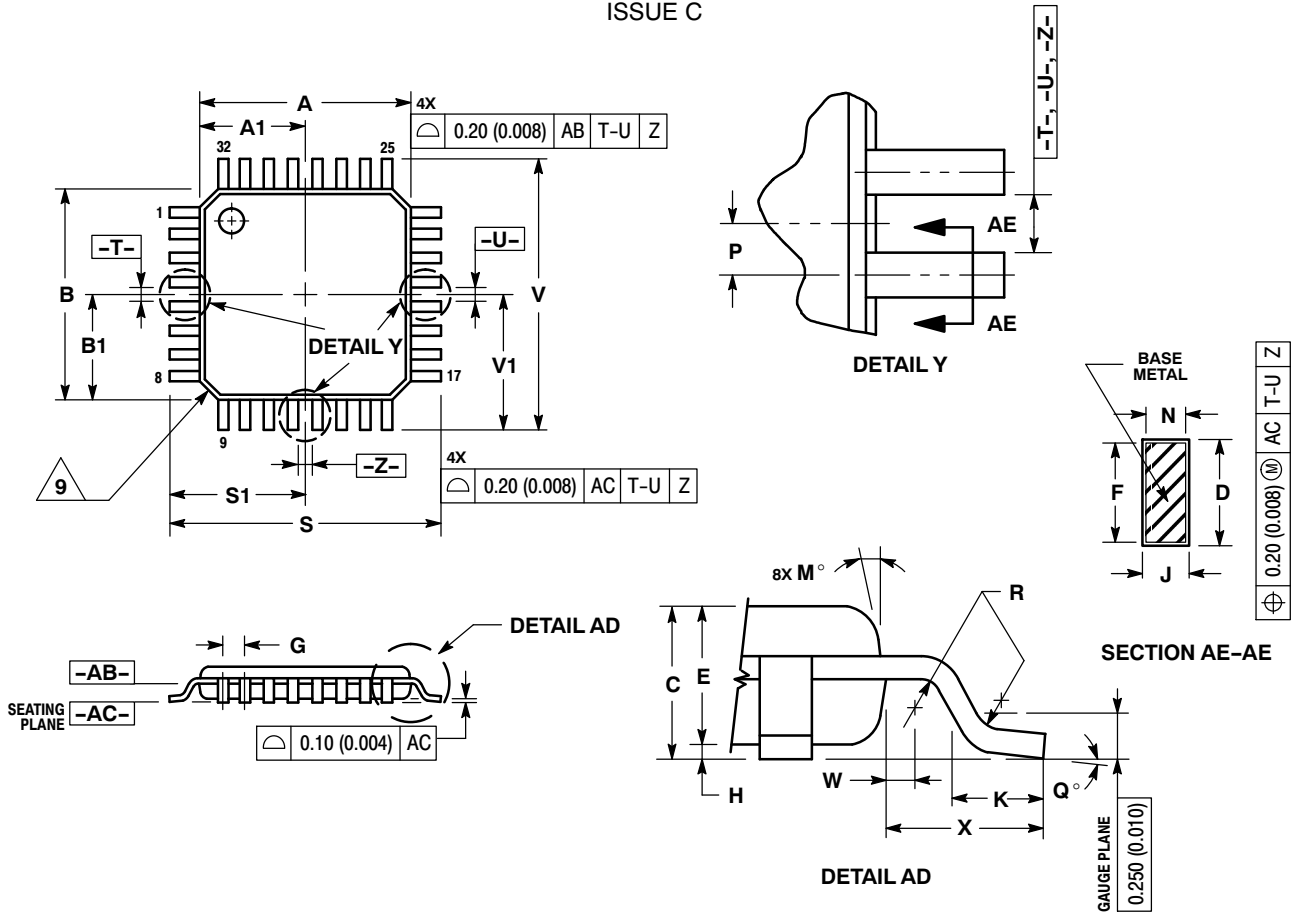
Resource Reference of Application Notes

- AN1405/D** - ECL Clock Distribution Techniques
- AN1406/D** - Designing with PECL (ECL at +5.0 V)
- AN1503/D** - ECLinPS™ I/O SPICE Modeling Kit
- AN1504/D** - Metastability and the ECLinPS Family
- AN1568/D** - Interfacing Between LVDS and ECL
- AN1672/D** - The ECL Translator Guide
- AND8001/D** - Odd Number Counters Design
- AND8002/D** - Marking and Date Codes
- AND8020/D** - Termination of ECL Logic Devices
- AND8066/D** - Interfacing with ECLinPS
- AND8090/D** - AC Characteristics of ECL Devices

MC100EP016A

PACKAGE DIMENSIONS

32 LEAD LQFP
CASE 873A-02
ISSUE C



NOTES:

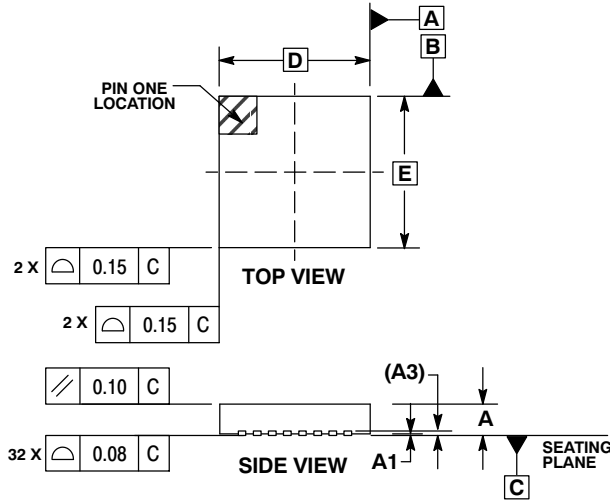
- DIMENSIONING AND TOLERANCING PER ANSI Y14.5M, 1982.
- CONTROLLING DIMENSION: MILLIMETER.
- DATUM PLANE -AB- IS LOCATED AT BOTTOM OF LEAD AND IS COINCIDENT WITH THE LEAD WHERE THE LEAD EXITS THE PLASTIC BODY AT THE BOTTOM OF THE PARTING LINE.
- DATUMS -T-, -U-, AND -Z- TO BE DETERMINED AT DATUM PLANE -AB-.
- DIMENSIONS S AND V TO BE DETERMINED AT SEATING PLANE -AC-.
- DIMENSIONS A AND B DO NOT INCLUDE MOLD PROTRUSION. ALLOWABLE PROTRUSION IS 0.250 (0.010) PER SIDE. DIMENSIONS A AND B DO INCLUDE MOLD MISMATCH AND ARE DETERMINED AT DATUM PLANE -AB-.
- DIMENSION D DOES NOT INCLUDE DAMBAR PROTRUSION. DAMBAR PROTRUSION SHALL NOT CAUSE THE D DIMENSION TO EXCEED 0.520 (0.020).
- MINIMUM SOLDER PLATE THICKNESS SHALL BE 0.0076 (0.0003).
- EXACT SHAPE OF EACH CORNER MAY VARY FROM DEPICTION.

DIM	MILLIMETERS		INCHES	
	MIN	MAX	MIN	MAX
A	7.000	BSC	0.276	BSC
A1	3.500	BSC	0.138	BSC
B	7.000	BSC	0.276	BSC
B1	3.500	BSC	0.138	BSC
C	1.400	1.600	0.055	0.063
D	0.300	0.450	0.012	0.018
E	1.350	1.450	0.053	0.057
F	0.300	0.400	0.012	0.016
G	0.800	BSC	0.031	BSC
H	0.050	0.150	0.002	0.006
J	0.090	0.200	0.004	0.008
K	0.450	0.750	0.018	0.030
M	12°	REF	12°	REF
N	0.090	0.160	0.004	0.006
P	0.400	BSC	0.016	BSC
Q	1°	5°	1°	5°
R	0.150	0.250	0.006	0.010
S	9.000	BSC	0.354	BSC
S1	4.500	BSC	0.177	BSC
V	9.000	BSC	0.354	BSC
V1	4.500	BSC	0.177	BSC
W	0.200	REF	0.008	REF
X	1.000	REF	0.039	REF

MC100EP016A

PACKAGE DIMENSIONS

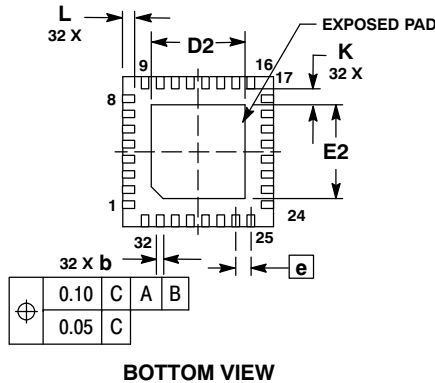
QFN32 5*5*1 0.5 P
CASE 488AM-01
ISSUE O



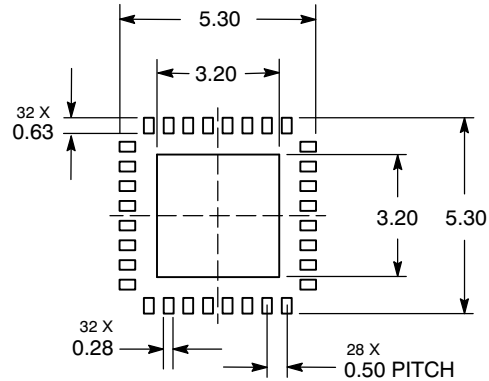
NOTES:

1. DIMENSIONS AND TOLERANCING PER ASME Y14.5M, 1994.
2. CONTROLLING DIMENSION: MILLIMETERS.
3. DIMENSION b APPLIES TO PLATED TERMINAL AND IS MEASURED BETWEEN 0.25 AND 0.30 MM TERMINAL.
4. COPLANARITY APPLIES TO THE EXPOSED PAD AS WELL AS THE TERMINALS.

MILLIMETERS			
DIM	MIN	NOM	MAX
A	0.800	0.900	1.000
A1	0.000	0.025	0.050
A3	0.200 REF		
b	0.180	0.250	0.300
D	5.00 BSC		
D2	2.950	3.100	3.250
E	5.00 BSC		
E2	2.950	3.100	3.250
e	0.500 BSC		
K	0.200	---	---
L	0.300	0.400	0.500



SOLDERING FOOTPRINT*



*For additional information on our Pb-Free strategy and soldering details, please download the ON Semiconductor Soldering and Mounting Techniques Reference Manual, SOLDERRM/D.

ECLinPS is a trademark of Semiconductor Components Industries, LLC (SCILLC).

ON Semiconductor and are registered trademarks of Semiconductor Components Industries, LLC (SCILLC). SCILLC reserves the right to make changes without further notice to any products herein. SCILLC makes no warranty, representation or guarantee regarding the suitability of its products for any particular purpose, nor does SCILLC assume any liability arising out of the application or use of any product or circuit, and specifically disclaims any and all liability, including without limitation special, consequential or incidental damages. "Typical" parameters which may be provided in SCILLC data sheets and/or specifications can and do vary in different applications and actual performance may vary over time. All operating parameters, including "Typicals" must be validated for each customer application by customer's technical experts. SCILLC does not convey any license under its patent rights nor the rights of others. SCILLC products are not designed, intended, or authorized for use as components in systems intended for surgical implant into the body, or other applications intended to support or sustain life, or for any other application in which the failure of the SCILLC product could create a situation where personal injury or death may occur. Should Buyer purchase or use SCILLC products for any such unintended or unauthorized application, Buyer shall indemnify and hold SCILLC and its officers, employees, subsidiaries, affiliates, and distributors harmless against all claims, costs, damages, and expenses, and reasonable attorney fees arising out of, directly or indirectly, any claim of personal injury or death associated with such unintended or unauthorized use, even if such claim alleges that SCILLC was negligent regarding the design or manufacture of the part. SCILLC is an Equal Opportunity/Affirmative Action Employer. This literature is subject to all applicable copyright laws and is not for resale in any manner.

PUBLICATION ORDERING INFORMATION

LITERATURE FULFILLMENT:
Literature Distribution Center for ON Semiconductor
P.O. Box 5163, Denver, Colorado 80217 USA
Phone: 303-675-2175 or 800-344-3860 Toll Free USA/Canada
Fax: 303-675-2176 or 800-344-3867 Toll Free USA/Canada
Email: orderlit@onsemi.com

N. American Technical Support: 800-282-9855 Toll Free
USA/Canada
Europe, Middle East and Africa Technical Support:
Phone: 421 33 790 2910
Japan Customer Focus Center
Phone: 81-3-5773-3850

ON Semiconductor Website: www.onsemi.com
Order Literature: <http://www.onsemi.com/orderlit>

For additional information, please contact your local Sales Representative